

Product Introduction & Benefits:

The **NMF-759** Converter is designed for “plug-n-play” installation in the 4-slot NMF-758 and 18-slot NMF-736+ Managed 19” Rack-mountable Converter Chassis. Boasting Link-Fault Signaling, Loop-back Testing and complete manageability via SNMP and Web GUI, the **NMF-759** is the ideal solution for network applications that require managed devices coupled with hassle-free deployment and set-up.

The module offers a cost-effective way to extend transmission distances up to 120km (single-mode fiber). It makes it easy to incorporate the advantages of fiber-based connection technology in a managed Ethernet/Fast Ethernet network. Integrated Auto Cross-over MDI/MDI-X and NWay capabilities make the **NMF-759** simple to deploy within a network. Also, when needed the “hot-swappable” design is ideal for scaling the system up or down quickly.

**Main Features:****Interface:**

- One 10/100Mbps copper Ethernet port
- One 100Base-FX fiber port
- Available with ST, SC, or WDM Simplex SC single-fiber connectors
- Auto MDI/MDI-X on copper port
- Auto-negotiation on copper port

Management:

- LED status for Link/Activity, LFS, 100, Loopback, and Full Duplex/Collision
- Link-Fault Signaling illuminates to indicate link failure
- Link-Fault Signaling function can boot up redundant link if network is installed with primary and redundant link
- Local and remote loopback
- Web, SNMP, Console management
- Menu-driven, Command Line Interface

Power

- Power supplied by NMF-758 / NMF-736+ managed converter chassis

Mechanical:

- Compatible with NMF-758 / NMF-736+ managed converter chassis
- Hot-swappable module



Specifications:

Standards:	IEEE 802.3 10Base-T IEEE 802.3u 100Base-TX/FX
Ports:	1 x Fiber (ST/SC, WDM, Multi-Mode/Single-Mode) 1 x Ethernet (RJ-45)
Wavelength:	1310nm (multi-mode, 62.5/125 or 50/125 micron fiber), 1310/1550nm (single-mode)
Max. Distance:	UTP: 100m Fiber: up to 120km (single mode)
Unit LED:	PWR: Green – Indicates normal power LNK/ACT: Green – Illuminated when receiving link pulses from a compliant device; flashing when data packets are transmitted or received at the interface FDX/COL: Amber – Illuminated when in full-duplex mode; flashing when collision occurred 100: Green – Illuminated when data transmission rate is 100Mbps LFS: Red – Flashing when disruption in connection occurs LBK: Amber – Illuminates when the fiber port is in loop-back mode
Power:	Power input: 12V DC@0.8A, external power supply
Temperature:	Operating: 0°C ~ 50 °C Storage: -20 °C ~ 80 °C
Humidity:	Operating: 10% to 80%RH Storage: 5% to 90%RH
Dimension:	119 x 69 x 23.4 mm (D x W x H)

Applications:

The diagram on the right illustrates typical applications for the **NMF-759**. The actual distances will depend on several factors, including the quality of cables used and the terminal equipment employed.

Ordering Information:

NMF-759MT/MC:

Managed 10/100 to 100Base-FX multi-mode converter card (ST/SC)

NMF-759SC-30/40/60/80* (km):

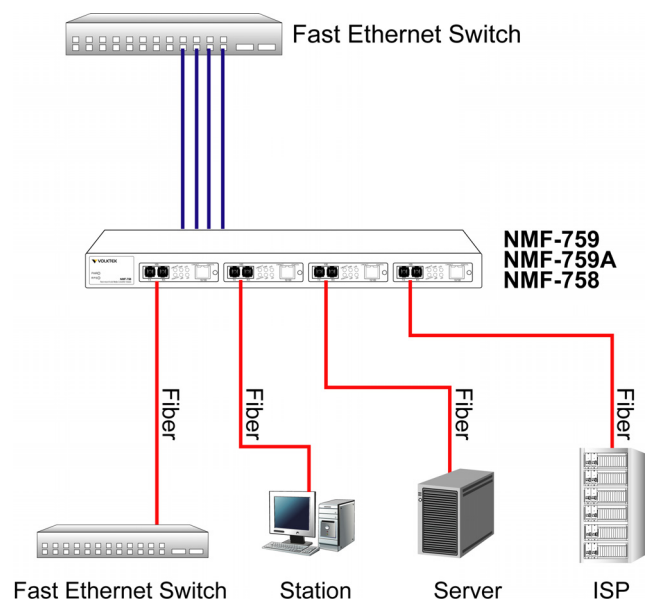
Managed 10/100 to 100Base-FX single-mode converter card (SC)

NMF-759TS-20/40/60 (km):

Managed 10/100 to 100Base-FX single fiber converter card, Transmitter (WDM Simplex SC, TX 1310nm/ RX 1550nm)

NMF-759RS-20/40/60 (km):

Managed 10/100 to 100Base-FX single fiber converter card, Receiver (WDM Simplex SC, TX 1550nm/ RX 1310nm)



* Longer distances available by request, contact for details.